



January 29, 2009

Bosch Security Systems, Inc.  
12000 Portland Ave. South  
Burnsville, MN 55337, USA  
Tel. +1 952 736 4558  
Fax +1 952 887 9157

[bryan.wilkins@us.bosch.com](mailto:bryan.wilkins@us.bosch.com)  
[www.boschcommunications.com](http://www.boschcommunications.com)

## Broadcasters Choose RTS Intercom Systems for Inaugural Coverage

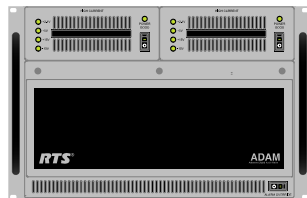
**January 29, 2009, Washington DC**

Barack Obama was sworn in as the 44<sup>th</sup> president of the United States this month. With a record-shattering 1.8 million spectators in attendance, Washington DC and the surrounding community was virtually shut down for the event. An additional 38 million



Americans watched the inauguration on television, and overwhelming demand for streaming video brought some news websites to their knees. How did broadcasters cope with this unprecedented viewership? They stayed connected with RTS Intercom Systems.

Michael Brown, Regional Sales Manager, and Scott Gilman, System Engineer, were on-site to ensure that our broadcast partners enjoyed smooth communication during the historic event. Michael commented on RTS' presence at the numerous pre-inaugural events:



“Over the past weeks RTS has been deeply involved with our major broadcasters' communication plans for the inauguration. Several popular daytime programs were in DC hosting special events. The shows used production companies that use RTS ADAM based systems for their communications.”

Michael continued:

“Many of the broadcasters hosted special events the day before and the day of the inauguration. One such case was a news website that hosted a ball at the Newseum with Sting singing as the main event. This was broadcasted using our RVON connectivity. A high-profile inauguration gathering at one of the hotels was supported by Game Creek and other production companies, all using our RVON VoIP system to connect to Chicago.”





RTS RVON technology played a central role in connecting broadcasters to their worldwide communication networks. The RVON (RTS Voice Over Network) series allows the full integration of the intercom system into a user's existing data network. It also allows for the creation of an independent network for a user's RVON equipment. The RVON series devices are fully IP-compliant with current VoIP standards, and can be monitored via SNMP.

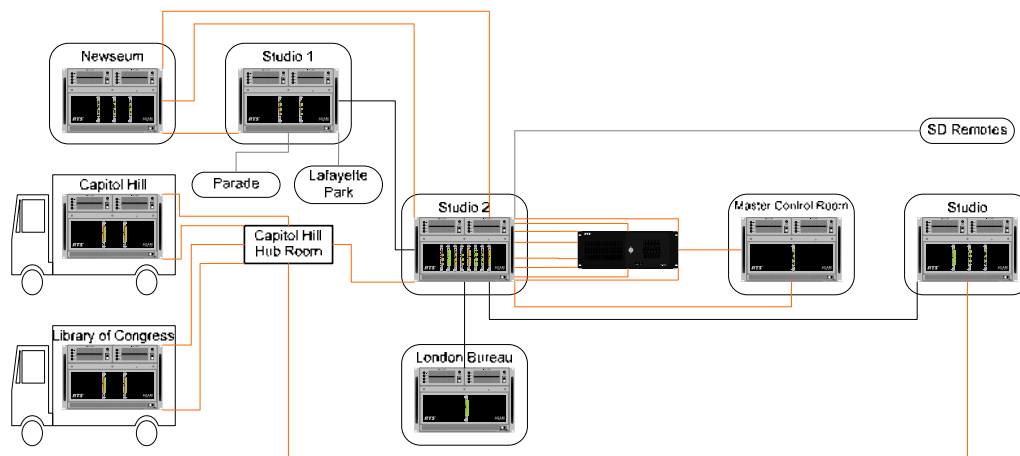
The flexibility of being able to use an existing data network simplifies the whole process. In addition, the RVON product family also supports ancillary data control for use with RTS Intelligent Trunking. These products enable Trunking over IP for local to worldwide connectivity.

One broadcaster used RVON to interconnect the Newseum and production trucks at Capitol Hill and the Library of Congress to remote stations and the Master Control Room via trunking.



Thanks to the flexibility of RVON and the scalability of Intelligent Trunking, it was abundantly clear that RTS was the intercom system of choice among broadcasters for mobile communication.

"I will say that each and EVERY remote production truck I visited at the US Capitol had an RTS system as their main communications system on board. You could say that the RTS RVON product was key to all the critical communication used during the inauguration." Michael proclaimed.



**A major broadcaster's RTS Digital Matrix configuration for the Presidential Inauguration**

###

**Sales Contact Information**

**Michael Brown**

Critical Communications Systems  
(ST-CO/SAM2)

Bosch Security Systems, Inc.  
12000 Portland Ave South  
Burnsville, Minnesota 55337  
USA

[www.boschcommunications.com](http://www.boschcommunications.com)

Tel: 703 867 8333

Fax: 703 263 0456

<mailto:michael.brown2@us.bosch.com>

**Media Contact Information**

**Bryan Wilkins**

Critical Communications Systems  
(ST-CO/PRM2.1)

Bosch Security Systems, Inc.  
12000 Portland Ave South  
Burnsville, Minnesota 55337  
USA

[www.boschcommunications.com](http://www.boschcommunications.com)

Tel: 952 736 4558

Fax: 952 887 9157

<mailto:Bryan.Wilkins@us.bosch.com>

January 29, 2009

Page 3 of 3

###

*Bosch Communications Systems—a business unit of Bosch Security Systems—is one of the world's leading manufacturers and suppliers of professional audio, wireless, life safety and communication equipment. Bosch Communications Systems offers complete system solutions for the world's most critical, high-profile installations and events.*

*Additional information can be accessed at [www.boschcommunications.com](http://www.boschcommunications.com)*

###

*The Bosch Group is a leading global supplier of technology and services. In the areas of automotive and industrial technology, consumer goods, and building technology, some 271,000 associates generated sales of 46.3 billion euros in fiscal 2007. The Bosch Group comprises Robert Bosch GmbH and its more than 300 subsidiaries and regional companies in roughly 50 countries. This worldwide development, manufacturing, and sales network is the foundation for further growth. Each year, Bosch spends more than 3 billion euros for research and development, and applies for over 3,000 patents worldwide. The company was set up in Stuttgart in 1886 by Robert Bosch (1861-1942) as "Workshop for Precision Mechanics and Electrical Engineering."*

*The special ownership structure of Robert Bosch GmbH guarantees the entrepreneurial freedom of the Bosch Group, making it possible for the company to plan over the long term and to undertake significant up-front investments in the safeguarding of its future. Ninety-two percent of the share capital of Robert Bosch GmbH is held by Robert Bosch Stiftung GmbH, a charitable foundation. The majority of voting rights are held by Robert Bosch Industrietreuhand KG, an industrial trust. The entrepreneurial ownership functions are carried out by the trust. The remaining shares are held by the Bosch family and by Robert Bosch GmbH.*

*Additional information can be accessed at [www.bosch.com](http://www.bosch.com)*