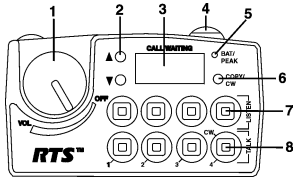


## RKP-4 Controls and Connections



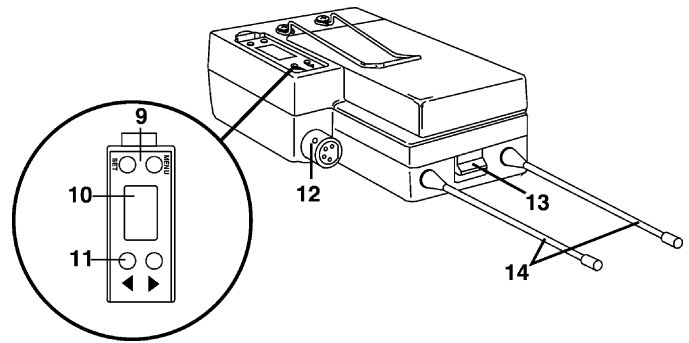
## RKP-4 Quick Start Card

- On/Off & Volume Control** - Turns the beltback power on and controls headset volume.
- [UP] and [DOWN] buttons** - Used to perform various matrix functions.
- Call Waiting Window (CWW)**.
- Relay Button** - When pressed, it closes the contacts on the relay at the beltback's base station.
- BAT/O.M. Light**-
 

Battery -	Light flashes on power up	= Battery OK
	Light on continuously	= Battery Low
	Light does not flash or come on	= Battery Dead
Microphone Lvl:	-Light flashes on loudest speech	= Gain OK
	Light flashes on all speech	= Gain too high
	Light never flashes on loudest speech	= Gain too Low
- Copy Button** - Used to perform various matrix functions
- Listen Buttons** - Used to listen to audio from the assigned matrix user for that button.
- Talk Buttons** - Used to talk to the assigned matrix user for that button.

### Matrix Key Functions

- Clear CWW = <COPY> then <LISTEN 4>
- Answer a CWW call = <COPY> then <TALK 4>
- Call Back = <COPY> then <TALK 4>
- Display Scroll Lists = <COPY> then <UP>
- Select Desired Scroll List = <COPY>
- PTP Scroll List = <UP> or <DOWN> for top or bottom of list.
- Assign a Key to a Scroll List Entry = Hold <COPY> and hit desired Talk or Listen button.
- Show a Key's Assignment = In PTP scroll list, hit the button desired.
- Select Setup Page = <UP> + <DOWN> then hit listen button 1 to 4 for pages 1 to 4. Tap <COPY> to change.



- [MENU] and [SET] buttons** - Used to select menus and set options on the LCD.
- LCD display**.
- [UP] and [DOWN] buttons** - Used to select menus and set options on the LCD.
- Headset Connector**- Female XLR connector.
- Battery Latch** - Press down to enable the battery pack to be released. While the latch is held down, slide the battery pack about 1/8 inch back, toward the latch, until it stops, then lift out.
- Receive and Transmitter Antennas** - The antennas are screw type, 1/4 wave, replaceable antennas. The color dot on the screw end of the antenna must match color dot on antenna receptacle.

## RKP-4 Quick Start Procedure

- Plug base station into desired Matrix port.
- Press <MENU> as powering-up the base station.  
(Sets unit to Group 01, TX Channel A, RX Channel 01).
- Set Matrix address and options via software menu. Reach the parameters to set by pressing <MENU> then select "System Settings, now select "Matrix Settings."
- Press <MENU> as powering-up the beltback.  
(Sets unit to Group 01, RX Channel A, TX Channel 01).
- Press <MENU> on the beltback until you arrive at the encryption code screen. Hit <SET> to begin editing the 4-digit encryption code. Set the code that you wish.
- When finished with the encryption code, press and hold <MENU> + <▲> for 3 seconds on the beltback. Then set the 4-digit base serial number on the beltback's display.  
(Sets beltback encryption to only communicate to that base station, no matter how the encryption code is set).
- At the base station, set the 4-digit encryption code to match the beltback.
- The base should now indicate, on the main status screen, a battery voltage and signal strength indicating the base and beltback are communicating.
- The beltback should indicate dashes on the CWW. This indicates it is communicating with the Matrix.
- Plug a headset into the base and beltback. Adjust the microphone gain so the overmodulation light flashes red only on the loudest speech.

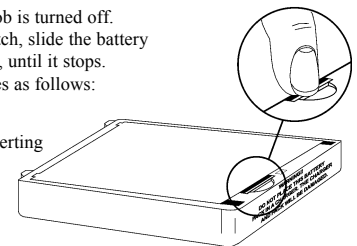
### Special Key Functions on Rear LCD Area

- ClearScan** ..... Press and hold <MENU> + <SET> buttons for 3 seconds to enter the ClearScan type select. Select from: scan for best group, scan within a group or scan band.
- Lockout** ..... Press and hold <▲> + <▼> buttons for 3 seconds. Repeat to toggle it off/on.
- 1st Use Default** ... Press <MENU> as powering-up the beltback. Sets beltback on Group 01, TX channel 01, RX channel A. All user-programmed memory is retained.
- Factory Default** ... Press and hold <MENU> + <SET> + <▲> + <▼> for 3 seconds. All user-programmed memory is erased. Sets beltback on Group 01, TX channel 01, RX channel A and all settings change to factory settings.
- Software/Ch Maps** . Press and hold <▼> for 3 seconds. The software version of the beltback will be displayed for as long as the <▼> arrow is held. When released, the RX channel map version will be displayed for 1 second then the TX channel map for 1 second.
- Base Serial Number** ..... Press and hold <MENU> + <▲> for 3 seconds in the encryption set screen.
- Auto Program** ..... Press and hold <▲> for 3 seconds. Allows user to turn auto frequency programming of the beltback from the base on or off.

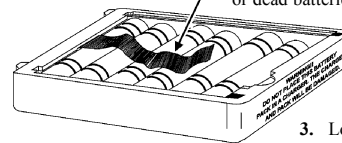
### Battery Installation

Ensure that the On/Off volume control knob is turned off. Press and hold down the battery release latch, slide the battery pack about 1/8 inch back, toward the latch, until it stops. Then lift battery pack out. Replace batteries as follows:

- Open the battery pack by inserting finger nail and lifting.



- Pull battery strap to remove low or dead batteries.



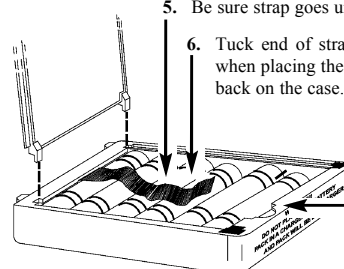
- Load new batteries following the polarity as shown in battery case.



- Start loading at the end of the case where the strap is attached to the case.

- Be sure strap goes under batteries.

- Tuck end of strap under door when placing the battery cover back on the case.



### WARNING

Do not place an alkaline battery pack in any battery charger. Severe charger and battery pack damage may result.