

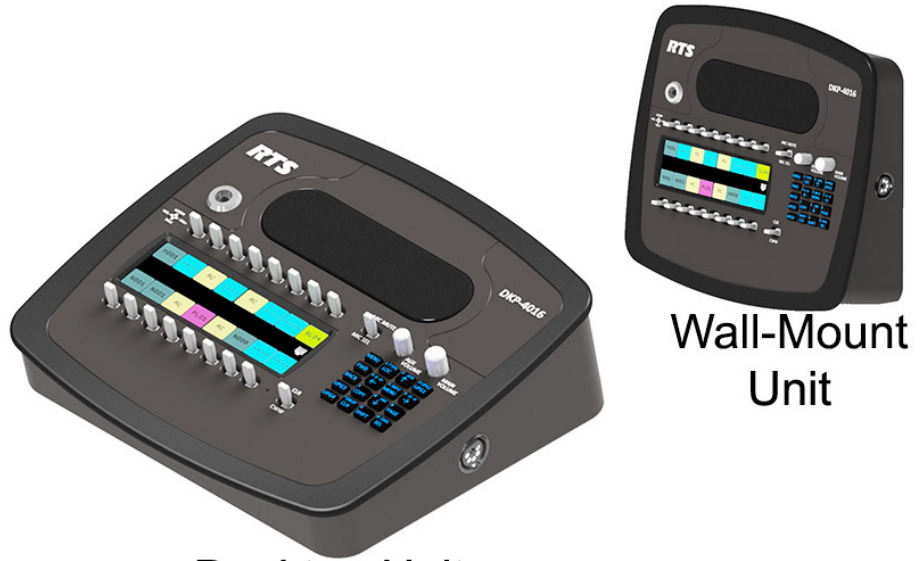
DKP-4016/DKP-4016W

OMNEO-Capable Color Display Desktop / Wall Mount Keypanel

The DKP-4016 keypanel delivers superior high-quality digital audio using the Bosch-branded OMNEO technology with Dante™ by Audinate audio over IP via either copper or fiber. The DKP-4016 delivers top-notch audio, free of noise, delay, and other artifacts present in older technology. This family of keypanels includes a rich set of connectors as standard, including GPIO and RC. As with other RTS products, emphasis has been placed on backward compatibility with previous generations of matrices including analog technology.

Also available is the DKP-4016W wall mount keypanel version.

The DKP-4016 keypanel utilizes the latest generation of wide angle TFT displays providing superior clarity and resolution, delivering high-quality readability under a variety of lighting conditions.



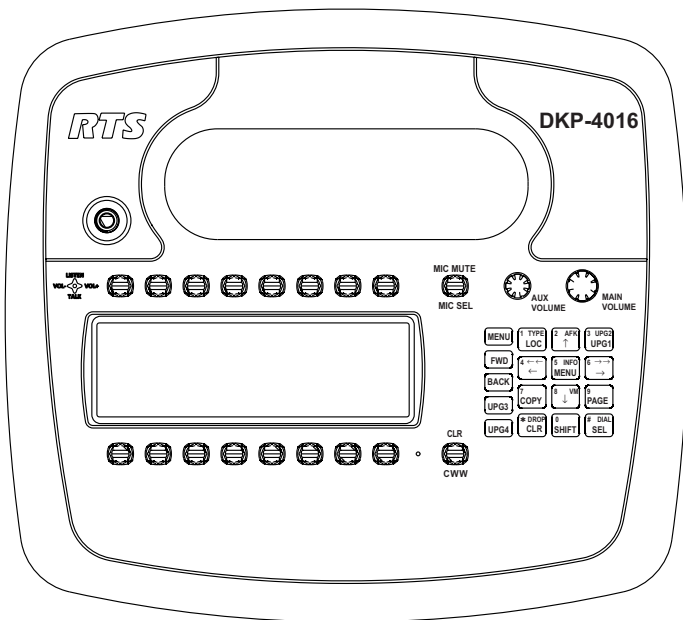
Desktop Unit

Wall-Mount Unit

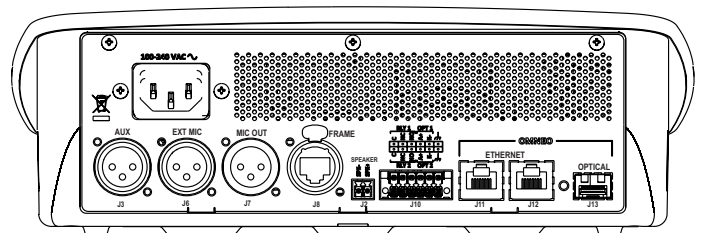
Features

- Backward compatible with older technologies such as analog audio in USOC and 568-B connector formats.
- All previous options hardware connectors (RC, GPI, and Ancillary items) are now standard.
- New wide-angle high-definition display.
- Enhanced navigation menus optimized for ease of use.

Line Drawing



Front Panel View



Rear Panel View

Specifications

LCD Display:

Active Area: ...120.10 mm (wide) x 35.86 mm (high)
 Dot Resolution: 576 x 172 pixels
 Color Resolution 16-bit (64K)RGB color
 View Angle: 80 degrees (typical; all directions)

Power Supply:

Type: Internal
 AC Input: 100–240 VAC 50/60 Hz

General Purpose Inputs and Outputs:

Outputs

Type (relays)..... SPDT
 Contact Rating..... 1AMP @ 30VDC

Inputs

Type..... Optically Coupled
 Input Voltage..... 5-18 VDC on A+
 ♦Anode is internally pulled to 5 VDC. Connect K- to \uparrow to activate.♦

Inputs:

Matrix

Type..... Balanced
 Typical Input Level..... +8 dBu
 Typical Input Impedance..... 20 k Ω
 Maximum Input Level..... +20 dBu
 Supported Bandwidth 100 Hz to 20 kHz

Aux

Type..... Balanced
 Typical Input Level..... +8 dBu
 Typical Input Impedance..... 20 k Ω
 Maximum Input Level..... +20 dBu
 Supported Bandwidth 100 Hz to 20 kHz

Front Panel Mic

Type..... Electret
 Typical Input Level..... -42 dBu
 Typical Input Impedance..... 1 k Ω
 Maximum Input Level -25 dBu

Rear Panel Mic

Type..... Electret
 Typical Input Level..... -42 dBu
 Typical Input Impedance..... 1 k Ω
 Maximum Input Level -25 dBu

Left and Right Headset Mic - Electret

Typical Input Level..... -42 dBu
 Typical Input Impedance..... 1 k Ω
 Maximum Input Level -25 dBu

Front and Rear Headset Mic - Dynamic

Typical Input Level..... -50 dBu
 Typical Input Impedance..... 600 Ω
 Maximum Input Level -25 dBu

Outputs:

Matrix

Type..... Balanced
 Typical Output Level..... +8 dBu
 THD+N% <0.20%
 Typical Output Impedance..... 600 Ω
 Maximum Output Level..... +20 dBu
 Frequency Response 100 Hz to 20 kHz

MIC/LINE Out

Type..... Balanced
 Typical Output Level..... +8 dBu
 THD+N% <0.20%
 Typical Output Impedance..... 600 Ω
 Maximum Output Level..... +20 dBu
 Frequency Response 100 Hz to 20 kHz

Headset - Left and Right

Maximum Output Power..... 125 mW for 32 Ω load
 Earphone Impedance 16 Ω and above
 THD+N% <0.20%
 Frequency Response 20 Hz to 20 kHz

Speaker - Rear

Maximum Output Power 5 W for 8 Ω load
 Speaker Impedance 4 Ω and 8 Ω
 THD+N% <0.20%
 Frequency Response 20 Hz to 20 kHz

Digital:

OMNEO Channels

Typical OMNEO Latency 1 ms
 Frequency Response 20 Hz - 20 kHz

Environmental:

Dimensions

3.60 in. H x 10.63 in. W x 9.35 in. D
 (91.5 mm H x 270.1 mm W x 237.6 mm D)

Weight

Weight 3.70lb (1.68kg)

Temperature

Operating..... 32°F to 131°F (0°C to 55°C)
 Storage..... -4°F to 158°F (-20°C to 70°C)

Power Consumption:

Nominal 25 Watts
 Maximum..... 39 Watts
 Maximum Volt Amp..... 63 VA

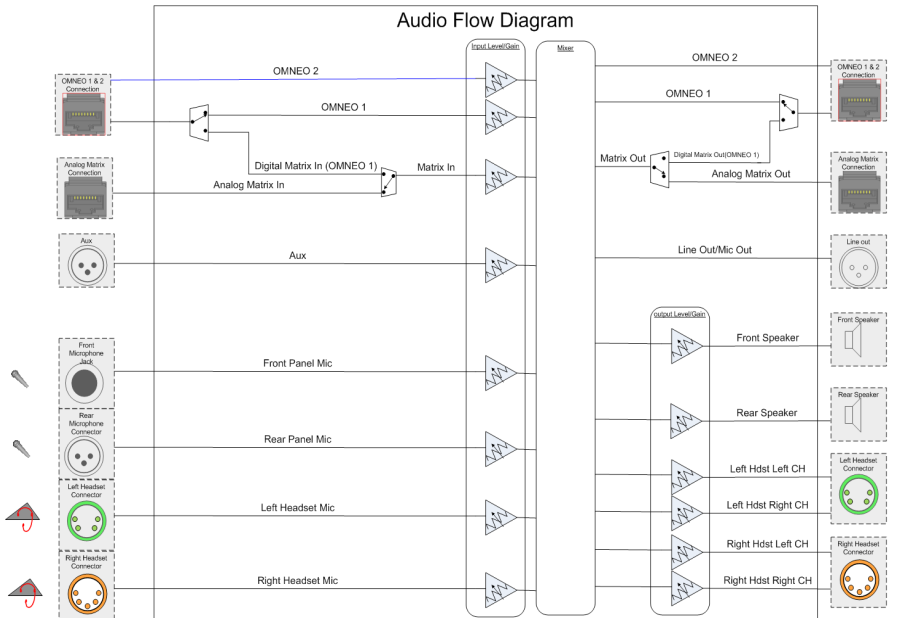
Certification:

CE Compliance

EMC
 EN55022 Class A
 VCCI Class A
 ICES-003
 FCC Part 15 Subpart B Class A
 AS/NZS CISPR22 Class A
 Korean KN 22
 EN 55024
 Korean KN 61000-4
 BSMI Class B

Safety

UL 60950-4
 EN60950-1
 CB Report
 PSE



Order Information

DKP4016 •DKP-4016 Desktop Keypanel
DKP4016W •DKP-4016W Wall Mount Keypanel

The specification information is subject to change without notification. Brand names mentioned are the property of their respective companies.