

KP-3016 and KP-3016A Color Display Keypanel



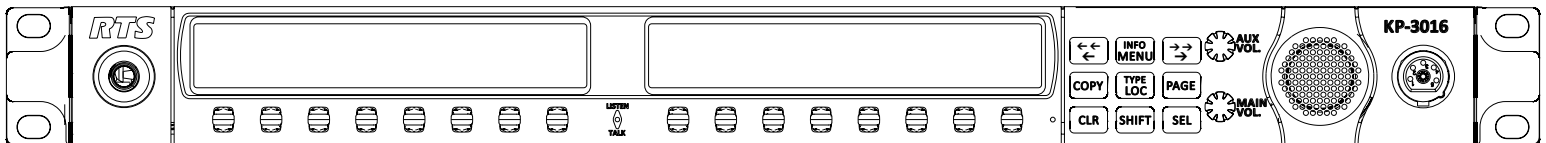
Part of the KP-Series keypanel family, the KP-3016 provides the same superior digital audio as the flagship KP-4016 model by using OMNEO media networking technology (developed by RTS parent company Bosch and incorporating Dante™ high-quality audio over IP) as well as analog technology. For the analog-only users, the KP-3016A is available. Both versions deliver top-notch sound quality, free of noise, delay, and other artifacts present in older technology.

Features

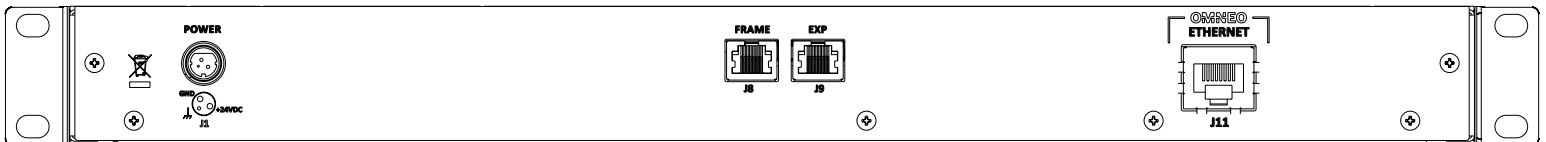
- Wide viewing-angle color screen
- Ergonomic levers for talk/listen
- Full support for OMNEO - KP-3016 Only
- Support for 4-wire analog connection
- Expansion panel option available
- Built-in speaker
- Microphone input for dynamic or electret mics
- User-replaceable XLR headset connector – 4- or 5-pin available

Line Drawing

KP-3016



Front Panel View



Rear Panel View

*** J11 not included on the KP-3016A Keypanel

Specifications

LCD Display:

Active Area: 120.10mm (wide) x 18.77mm (high)
 Dot Resolution: 576 x 90 pixels
 Color Resolution 16-bit (64K)RGB color
 View Angle: 80 degrees (typical; all directions)

Power Supply:

Type: External DC
 AC Input: 100–240VAC 50/60Hz

Inputs:

Matrix

Type Balanced
 Typical Input Level +8dBu
 Typical Input Impedance >10kΩ
 Maximum Input Level +20dBu
 Supported Bandwidth 100Hz to 20KHz

Panel Mic

Type Electret
 Typical Input Level -42dBu
 Typical Input Impedance 1kΩ
 Maximum Input Level -25dBu

Headset Mic - Electret

Typical Input Level -42dBu
 Typical Input Impedance 1kΩ
 Maximum Input Level -25dBu

Headset Mic - Dynamic

Typical Input Level -50dBu
 Typical Input Impedance 600Ω
 Maximum Input Level -25dBu

Outputs:

Matrix

Type Balanced
 Typical Output Level +8dBu

THD+N% <0.20%
 Typical Output Impedance 600Ω
 Maximum Output Level +20dBu
 Frequency Response 100Hz to 20KHz

Headset

Maximum Output Power 125mW for 32Ω load
 Earphone Impedance 16Ω and above
 THD+N% <0.20%
 Frequency Response 100Hz to 20KHz

Speaker

Front 84dB SPL for 1kHz sine wave @ 1 meter

Digital:

OMNEO Channels

Typical OMNEO Latency 1ms
 Frequency Response 20Hz - 20KHz

Environmental:

Dimensions

17.39" W(without rack ears) x 1.72" H x 3.84" (4.33" including volume knobs and lever keys) D
 (441.82mm x 43.8mm x 97.54mm [109.99mm including vol. knobs and lever keys])

Weight

KP-3016 3.35 lb. (1.52 kg)
 KP-3016A 3.35 lb. (1.52 kg)
 Power Supply 0.53lb (.24kg)
 Power Supply Mounting Bracket 0.30lbs (.14kg)

Temperature

Operating 0° C to 55° C (32° F to 131° F)
 Storage -20° C to 70° C (-4° F to 158° F)

Power Consumption:

KP-3016

Nominal 11 Watts
 Maximum 13 Watts
 Maximum Volt Amp 36 VA

KP-3016A

Nominal 8 Watts
 Maximum 10 Watts
 Maximum Volt Amp 36 VA

Certification:

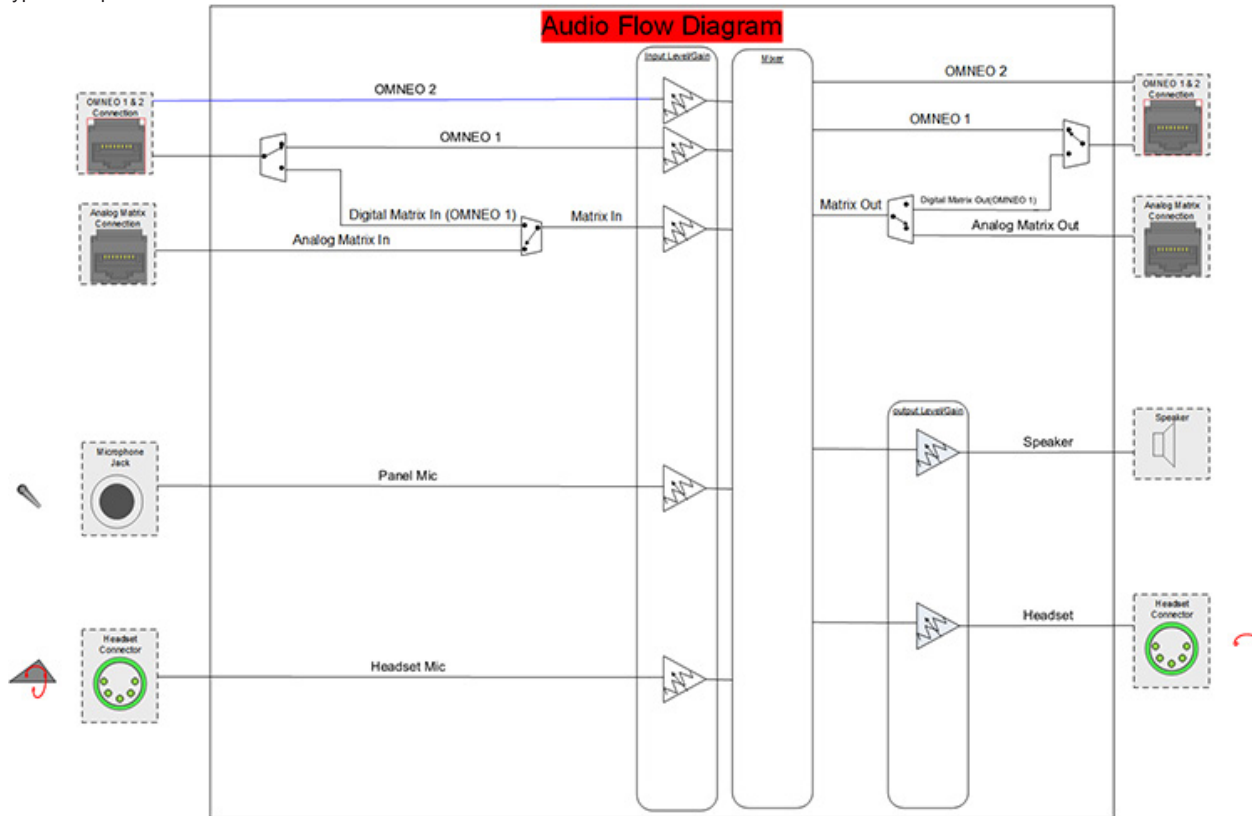
CE Compliance

EMC
 EN55022 Class A
 VCCI Class A
 ICES-003
 FCC Part 15 Subpart B Class A
 AS/NZS CISPR22 Class A
 Korean KN 22
 EN 55024
 Korean KN 61000-4
 BSMI Class B

Safety

UL 60950-4
 EN60950-1
 CB Report
 PSE

Audio Flow Diagram



Order Information

KP-3016 • KP3016 Keypanel 1 RU A5F 16 Keys

KP-3016A • KP3016A Keypanel 1 RU A5F 16 Keys Analog

The specification information is subject to change without notification. Brand names mentioned are the property of their respective companies.