



## PH-3500

### Dual-Sided Headset with 24dB NRR, Flexible Dynamic Boom Mic

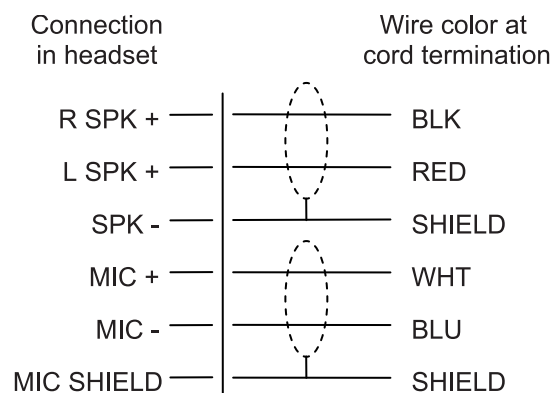
The PH-3500 is a 14 oz. passive noise reduction headset which maximizes hearing protection while minimizing weight. Its noise reduction rating of 24dB is designed for use in noisy environments. The PH-3500 features a three-position tension adjustment and a stainless steel strengthened headband for maximum comfort. Comfortable foam-filled ear cushions with volume controls in each ear cup allows the user to adjust the level for each ear. The boom arm features a sealed ball-and-socket joint and flexible boom for precise microphone placement on any head size. The PH-3500 is dual-sided, lightweight and so comfortable you will not believe it can still attenuate noise and protect your hearing.

## Features

**Boom Microphone**

**Headband Pressure Adjustments**

## Wiring Diagram



# PH-3500 Specifications

## Connector Termination

PH-3500: XLR 4-pin Female

PH-3500R: XLR 4-pin Male

## Type

Dual Sided Monaural

## Mic Type

Electret Noise-Canceling

## Mic Sensitivity

-57dBV/Pa @ 1cm, 5V through 1K $\Omega$  bias

## Mic Frequency Range

100Hz - 7kHz

## Speaker Sensitivity

90dB SPL @1kHz, 1mW

## Speaker Frequency Range

100Hz - 3kHz

## Speaker Impedance

150 $\Omega$

## Weight

14oz. (not including cord)

## Cord Length

4.5 ft.

### Contact Information

Telex Communications, Inc.  
12000 Portland Avenue South  
Burnsville, Minnesota 55337  
Telephone: 877-863-4169  
Fax: (800) 323-0498

Form Number: 38109-721 Rev C

Date: December, 2007

### Ordering Information

#### **PH-3500**

Dual-Sided Headset with 24dB NRR, Flexible  
Dynamic Boom Mic, & A4F Connector  
Catalog Number: 300623-001

#### **PH-3500R**

Dual-Sided Headset with 24dB NRR, Flexible  
Dynamic Boom Mic, & A4M Connector  
Catalog Number: 300623-002

This specifications information is preliminary and is subject to change without notification.

Brand names mentioned are the property of their respective companies.