



HR-2

Dual-Sided Headset with Flexible Dynamic Boom Mic

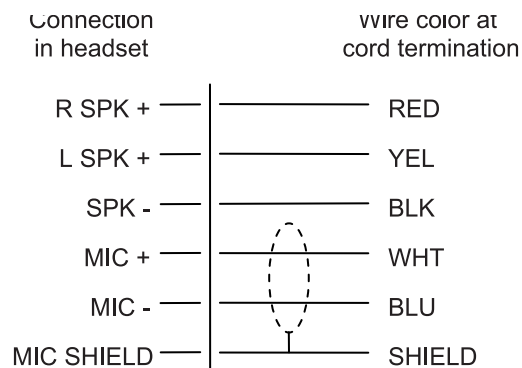
The HR-2 is a dual-sided, medium-weight passive noise reduction headset with a dynamic noise-canceling microphone. The headset has a noise reduction rating of 21 dB; suitable for use in a moderately noisy environment. The HR-2 features our unique, soft moleskin covered headband for all day comfort. Our ergonomic headset design distributes ear cushion pressure evenly over the entire ear with no pressure points, unlike conventional headsets, which apply more pressure on the bottom of the ear than the top. An added advantage of this headset design is that it folds into compact form for ease of transport and storage. Available with 4- or 5-pin XLR connectors (male or female), or pigtail termination.

Features

Boom Microphone

Headband Pressure Adjustments

Wiring Diagram



HR-2 Specifications

Connector Termination

HR-2: XLR 4-pin Female
HR-2A5: XLR 5-pin Female
HR-2PT: Stripped Wire
HR-2R: XLR 4-pin Male
HR-2R5: XLR 5-pin Male

Type

HR-2: Dual Sided Monaural
HR-2A5: Dual Sided Stereo
HR-2PT: Dual Sided
HR-2R: Dual Sided Monaural
HR-2R5: Dual Sided Stereo

Mic Type

Dynamic Noise-Canceling

Mic Sensitivity

-65dBV/Pa @1cm

Mic Frequency Range

150Hz - 8kHz

Mic Impedance

200Ω

Speaker Sensitivity

95dB SPL @1kHz, 1mW

Speaker Frequency Range

100Hz - 3kHz

Speaker Impedance

HR-2: 150Ω
HR-2A5: 300Ω per side
HR-2PT: 300Ω per side
HR-2R: 150Ω
HR-2R5: 300Ω per side

Weight

15oz. (not including cord)

Cord Length

5 ft.

Color

Black

Ordering Information

HR-2

Dual-Sided Headset with Flexible Dynamic Boom Mic & A4F Connector
Catalog Number: 300534-000

HR-2A5

Dual-Sided Headset with Flexible Dynamic Boom Mic & A5F Connector
Catalog Number: 300534-010

HR-2PT

Dual-Sided Headset with Flexible Dynamic Boom Mic & Pigtail Termination
Catalog Number: 300534-003

HR-2R

Dual-Sided Headset with Flexible Dynamic Boom Mic & A4M Connector
Catalog Number: 300534-001

HR-2R5

Dual-Sided Headset with Flexible Dynamic Boom Mic & A5M Connector
Catalog Number: 300534-002

This specifications information is preliminary and is subject to change without notification.

Brand names mentioned are the property of their respective companies.

Contact Information

Telex Communications, Inc.
12000 Portland Avenue South
Burnsville, Minnesota 55337
Telephone: 877-863-4169
Fax: (800) 323-0498

Form Number: LIT000201000 Rev A

Date: December, 2007