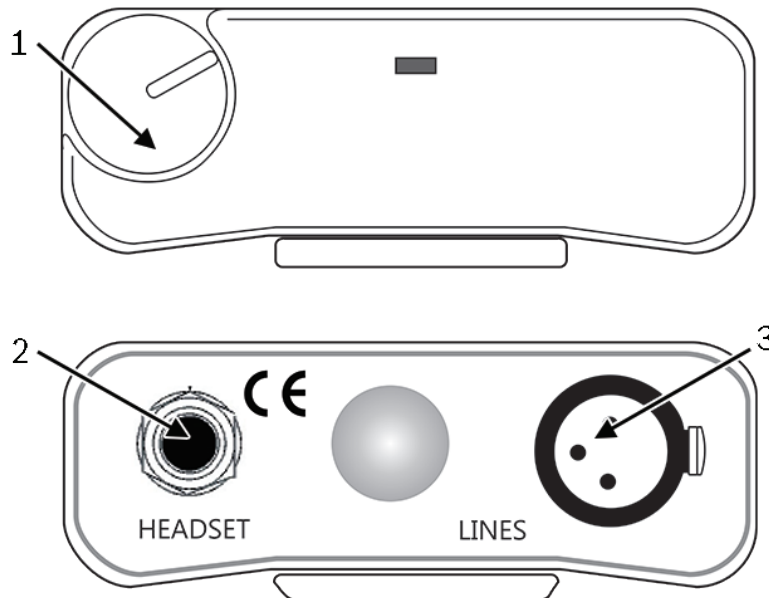


## IFB 4030-M

### Passive IFB beltpack with 1/4" (6.3mm) Jack



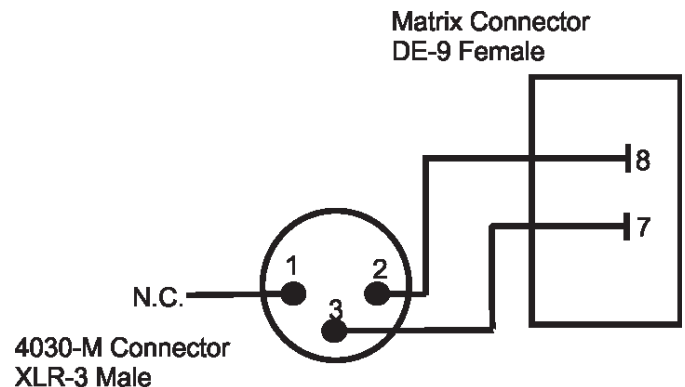
## Description

The IFB 4030-M is a passive beltpack intended for use with RTS digital matrix intercom systems.

1. Controls headset/earset output audio level
2. 1/4" Monaural headset/earset output
3. XLR-3F Balanced input

## Installation

1. Connect the beltpack to an unused intercom system port (see cable diagram below).
2. Configure the unused intercom system port (via AZedit) for IFB.
3. Set the port output level (via System|Gains|Analog Input/Output Gains) to -4 dB.
4. Send the changes to the intercom.
5. Connect the headset/earset to the unit



## Specifications

Earset/Headset: 50 to 600 Ohms

Weight: 6.2oz (303g)

Headset Connectors:

Type: 1/4" (6.3mm) Monaural Plug

Tip: Headset audio high

Sleeve: Headset audio low

Line (Intercom) Connectors:

Type: XLR-3F

Pin 1: Not Connected

Pin 2: Intercom audio high (+)

Pin 3: Intercom audio low (-)

### Proprietary Notice

The RTS product information and design disclosed herein were originated by and are the property of Bosch Communications, Inc. Bosch reserves all patent, proprietary design, manufacturing, reproduction, use and sales rights thereto, and to any article disclosed therein, except to the extent rights are expressly granted to others.

### Copyright Notice

Copyright ©2015 by Bosch Communications, Inc. All rights reserved. Reproduction in whole or in part without prior written permission from Bosch is prohibited.

### Warranty and Service Information

RTS Intercoms.....[www.rtsintercoms.com/warranty](http://www.rtsintercoms.com/warranty)

### Customer Support

Technical questions should be directed to:

Customer Service Department  
Bosch Security Systems, Inc.  
[www.rtsintercoms.com](http://www.rtsintercoms.com)

### Technical Questions EMEA

Bosch Security Systems Technical Support EMEA  
[www.rtsintercoms.com/contact\\_main.php](http://www.rtsintercoms.com/contact_main.php)

### Disclaimer

The manufacturer of the equipment described herein makes no expressed or implied warranty with respect to anything contained in this manual and shall not be held liable for any implied warranties of fitness for a particular application or for any indirect, special, or consequential damages. The information contained herein is subject to change without prior notice and shall not be construed as an expressed or implied commitment on the part of the manufacturer.

## Order Information

4030M • 4030M • Passive IFB beltpack with 1/4" (6.3mm) jack

The specification information is preliminary and is subject to change without notification.  
Brand names mentioned are the property of their respective companies.