

KP-5032

OMNEO-Capable Color Display Keypanel



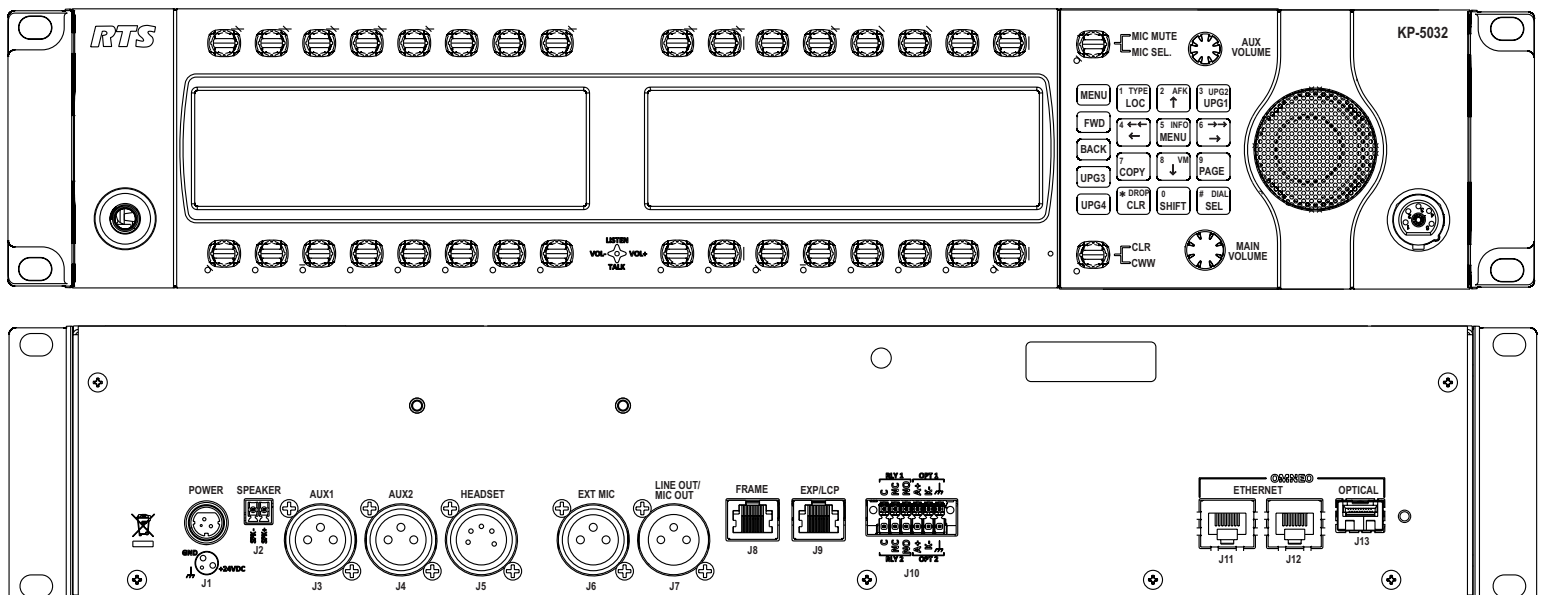
The KP-5032 keypanel delivers superior high-quality digital audio using the Bosch-branded OMNEO technology with Dante™ by Audinate audio over IP via either copper or fiber. The KP-5032 delivers top-notch audio, free of noise, delay, and other artifacts present in older technology. This family of keypanels includes a rich set of connectors as standard, including GPIO and RC. As with other RTS products, emphasis has been placed on backward compatibility with previous generations of matrices including analog technology.

The KP-5032 keypanel utilizes the latest generation of wide angle TFT displays providing superior clarity, resolution, and longer display life, delivering high-quality readability under a variety of lighting conditions.

Features

- Backward compatible with older technologies such as analog audio in USOC and 568-B connector formats.
- All previous options hardware connectors (RC, GPI, and ancillary items) are now standard.
- New wide-angle high-definition display.
- Enhanced navigation menus optimized for ease of use.
- Front panel headset connector is field-swappable, making it simple to change the default 5-pin XLR (6-pin compatible) headset connector with a 4-pin XLR headset connector, as needed.

Line Drawing



Specifications

LCD Display:

Active Area: 120.10mm (wide) x 35.86mm (high)
 Dot Resolution: 576 x 172 pixels
 Color Resolution 16-bit (64K)RGB color
 View Angle: 80 degrees (typical; all directions)

Power Supply:

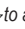
Type: External DC
 AC Input: 100–240VAC 50/60Hz

General Purpose Inputs and Outputs:

Outputs

Type (relays)..... SPDT
 Contact Rating..... 1AMP @ 30VDC

Inputs

Type..... Optically Coupled
 Input Voltage..... 5-18 VDC on A+
 ♦A+ is internally pulled to 5VDC. Connect K- to  to activate. ♦

Inputs:

Matrix

Type..... Balanced
 Typical Input Level..... +8dBu
 Typical Input Impedance..... >10kΩ
 Maximum Input Level +20dBu
 Supported Bandwidth 100Hz to 20KHz

Aux 1 and Aux 2

Type..... Balanced
 Typical Input Level..... +8dBu
 Typical Input Impedance..... >10 k Ω

Front Panel Mic

Type..... Electret
 Typical Input Level..... -42dBu
 Typical Input Impedance..... 1kΩ
 Maximum Input Level -25dBu

Rear Panel Mic

Type..... Electret
 Typical Input Level..... -42dBu
 Typical Input Impedance..... 1kΩ
 Maximum Input Level -25dBu

Front and Rear Headset Mic - Electret

Typical Input Level..... -42dBu
 Typical Input Impedance..... 1kΩ
 Maximum Input Level -25dBu

Front and Rear Headset Mic - Dynamic

Typical Input Level..... -50dBu
 Typical Input Impedance..... 600Ω
 Maximum Input Level -25dBu

Outputs:

Matrix

Type..... Balanced
 Typical Output Level +8dBu
 THD+N% <0.20%
 Typical Output Impedance..... 600Ω
 Maximum Output Level..... +20dBu
 Frequency Response 100Hz to 20KHz

MIC/LINE Out

Type..... Balanced
 Typical Output Level +8dBu
 THD+N% <0.20%
 Typical Output Impedance..... 600Ω
 Maximum Output Level..... +20dBu
 Frequency Response 100Hz to 20KHz

Headset - Front, Rear, Left, Right

Maximum Output Power..... 125mW for 32Ω load
 Earphone Impedance 16Ω and above
 THD+N% <0.20%
 Frequency Response 100Hz to 20KHz

Speaker - Rear

Maximum Output Power 5W for 8Ω load
 Speaker Impedance 4Ω and 8Ω
 THD+N% <0.20%
 Frequency Response 100Hz to 20KHz

Speaker - Front

SPL..... 84dB SPL for 1kHz sine wave @ 1 meter

Digital:

OMNEO Channels

Typical OMNEO Latency 1ms
 Frequency Response 20Hz - 20KHz

Environmental:

Dimensions

17.39" W(without rack ears) x 3.46" H x 3.72" D
 (441.82mm x 87.96mm x 98.5mm
 [111.11mm including volume knobs and lever keys])

Weight

KP-5032..... 4.89lb (2.22kg)
 Power Supply 0.53lb (.24kg)
 Power Supply
 Mounting Bracket..... 0.30lbs (.14kg)

Temperature

Operating..... 0° C to 55° C (32° F to 131° F)
 Storage..... -20° C to 70° C (-4° F to 158° F)

Power Consumption:

Nominal 13 Watts
 Maximum 18 Watts
 Maximum Volt Amp..... 48 VA

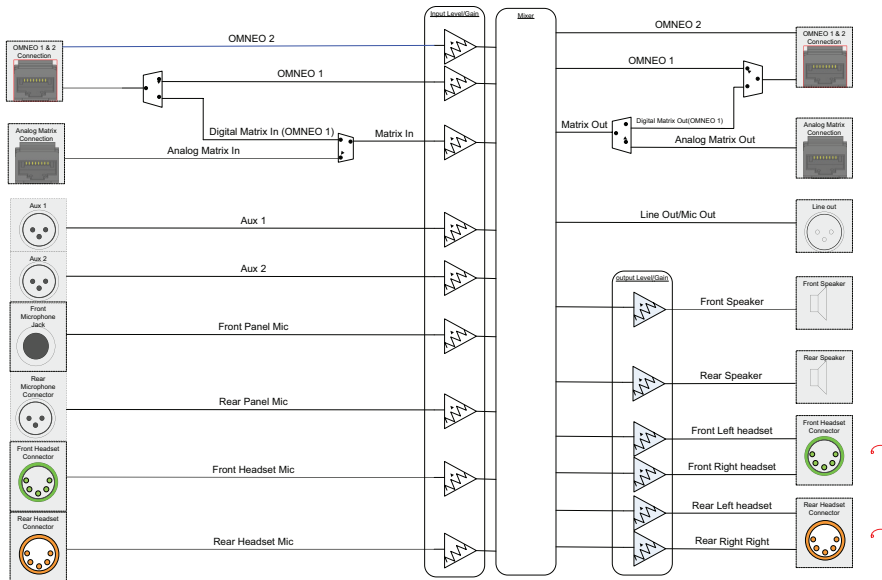
Certification:

CE Compliance

EMC
 EN55022 Class A
 VCCI Class A
 ICES-003
 FCC Part 15 Subpart B Class A
 AS/NZS CISPR22 Class A
 Korean KN 22
 EN 55024
 Korean KN 61000-4
 BSMI Class B

Safety

UL 60950-4
 EN60950-1
 CB Report
 PSE



Order Information

KP-5032 • KP5032 Keypanel 2 RU A5F 32 Keys

The specification information is subject to change without notification. Brand names mentioned are the property of their respective companies.

Bosch Security Systems, Inc. | 12000 Portland Avenue South | Burnsville, Minnesota 55337
 Form Number: F.01U.305.113 Rev 01
 Date: January 2015

