

XCP-32-DB9

Breakout Panel Technical Guide

PROPRIETARY NOTICE

The product information and design disclosed herein were originated by and are the property of Bosch Security Systems, Inc. Bosch reserves all patent, proprietary design, manufacturing, reproduction, use and sales rights thereto, and to any article disclosed therein, except to the extent rights are expressly granted to others.

COPYRIGHT NOTICE

Copyright 2011 by Bosch Security Systems, Inc. All rights reserved. Reproduction, in whole or in part, without prior written permission from Bosch is prohibited.

*All other trademarks are property of their respective owners.

WARRANTY AND SERVICE INFORMATION

For warranty and service information, refer to the appropriate web site below:

- RTS www.rtsintercoms.com/warranty
- RTSTW www.rtstw.com/warranty
- AudioCom..... www.telexaudiocom.com/warranty
- RadioCom www.telexradiocom.com/warranty
- Headsets www.intercomheadsets.com/warranty

CUSTOMER SUPPORT



Technical questions should be directed to:

Customer Service Department
 Bosch Security Systems, Inc.
 12000 Portland Avenue South
 Burnsville, MN 55337 USA
 Telephone: 877-863-4169
 Fax: 800-323-0498
 Info@rtsintercoms.com

Technical Questions EMEA
 Bosch Security Systems Technical Support EMEA
http://www.rtsintercoms.com/contact_main.php

DISCLAIMER

The manufacturer of the equipment described herein makes no expressed or implied warranty with respect to anything contained in this manual and shall not be held liable for any implied warranties of fitness for a particular application or for any indirect, special, or consequential damages. The information contained herein is subject to change without prior notice and shall not be construed as an expressed or implied commitment on the part of the manufacturer.

	<p>CAUTION RISK OF ELECTRIC SHOCK DO NOT OPEN</p>	
<p>THE LIGHTNING FLASH AND ARROWHEAD WITHIN THE TRIANGLE IS A WARNING SIGN ALERTING YOU OF "DANGEROUS VOLTAGE" INSIDE THE PRODUCT.</p>	<p>CAUTION: TO REDUCE THE RISK OF ELECTRIC SHOCK, DO NOT REMOVE COVER. NO USER-SERVICABLE PARTS INSIDE. REFER SERVICING TO QUALIFIED SERVICE PERSONNEL.</p>	<p>THE EXCLAMATION POINT WITHIN THE TRIANGLE IS A WARNING SIGN ALERTING YOU OF IMPORTANT INSTRUCTIONS ACCOMPANYING THE PRODUCT</p>
<p>SEE MARKING ON BOTTOM/BACK OF PRODUCT</p>		


WARNING: APPARATUS SHALL NOT BE EXPOSED TO DRIPPING OR SPLASHING AND NO OBJECTS FILLED WITH LIQUIDS, SUCH AS VASES, SHALL BE PLACED ON THE APPARATUS.

WARNING: THE MAIN POWER PLUG MUST REMAIN READILY OPERABLE

CAUTION: TO REDUCE THE RISK OF ELECTRIC SHOCK, GROUNDING OF THE CENTER PIN OF THIS PLUG MUST BE MAINTAINED.

WARNING: TO REDUCE THE RISK OF FIRE OR ELECTRIC SHOCK, DO NOT EXPOSE THIS APPRATUS TO RAIN OR MOISTURE.

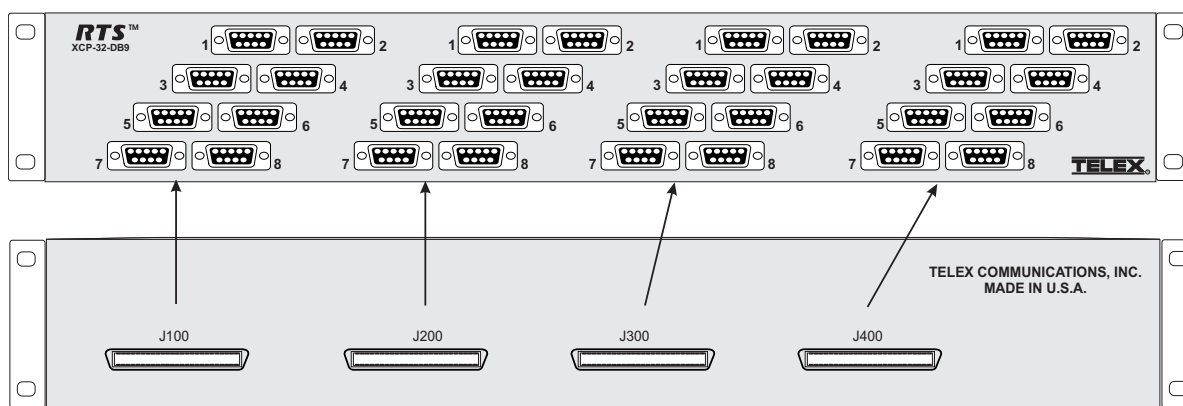
WARNING: TO PREVENT INJURY, THIS APPARATUS MUST BE SECURELY ATTACHED TO THE FLOOR/WALL/RACK IN ACCORDANCE WITH THE INSTALLATION INSTRUCTIONS.

	<p>This product is AC only.</p>
---	---------------------------------

Important Safety Instructions

1. Read these instructions.
2. Keep these instructions.
3. Heed all warnings.
4. Follow all instructions.
5. Do not use this apparatus near water.
6. Clean only with dry cloth.
7. Do not block any ventilation openings. Install in accordance with the manufacturer's instructions.
8. Do not install near any heat sources such as radiators, heat registers, stoves, or other apparatus (including amplifiers) that produce heat.
9. Do not defeat the safety purpose of the polarized or grounding-type plug. A polarized plug has two blades with one wider than the other. A grounding type plug has two blades and a third grounding prong. The wide blade or the third prong are provided for your safety. If the provided plug does not fit into your outlet, consult an electrician for replacement of the obsolete outlet.
10. Protect the power cord from being walked on or pinched particularly at plugs, convenience receptacles, and the point where they exit from the apparatus.
11. Only use attachments/accessories specified by the manufacturer.
12. Use only with the cart, stand, tripod, bracket, or table specified by the manufacturer, or sold with the apparatus. When a cart is used, use caution when moving the cart/apparatus combination to avoid injury from tip-over.
13. Unplug this apparatus during lightning storms or when unused for long periods of time.
14. Refer all servicing to qualified service personnel. Servicing is required when the apparatus has been damaged in any way, such as power-supply cord or plug is damaged, liquid has been spilled or objects have fallen into the apparatus, the apparatus has been exposed to rain or moisture, does not operate normally, or has been dropped.

XCP-32-DB9



The arrows represent the MDR to DB-9 connector responsibility

FIGURE 1. XCP-32-DB9

The XCP-32-DB9 is the newly created 32-port DB9 breakout panel with MDR connector for the ADAM with an AIO-16 card and Cronus. It allows you to expand the number of DB-9 serial ports. The XCP-32-DB9 is backward compatible with the AIO-8 card.

NOTE: When using the 32-port DB-9 breakout panel, you **MUST** use the MDR backcard for both the AIO-16 and Cronus.

9-pin Male D-sub	
Pin 1	Keypanel Data +
Pin 2	Keypanel Data -
Pin 3	Gnd
Pin 4	Audio to Matrix +
Pin 5	Audio to Matrix -
Pin 6	Gnd

9-pin Male D-sub	
Pin 7	Audio from Matrix -
Pin 8	Audio from Matrix +
Pin 9	Gnd

MDR Connector		
Pin Number	Port	Function
8	1	Data +
33	1	Data -
24	1	Audio To Matrix +
49	1	Audio To Matrix -
25	1	Audio From Matrix +
50	1	Audio From Matrix -

MDR Connector		
Pin Number	Port	Function
7	2	Data +
32	2	Data -
22	2	Audio To Matrix +
47	2	Audio To Matrix -
23	2	Audio From Matrix +
48	2	Audio From Matrix -
6	3	Data +
31	3	Data -
20	3	Audio To Matrix +
45	3	Audio To Matrix -
21	3	Audio From Matrix +
46	3	Audio From Matrix -
5	4	Data +
30	4	Data -
18	4	Audio To Matrix +
43	4	Audio To Matrix -
19	4	Audio From Matrix +
44	4	Audio From Matrix -
4	5	Data +
29	5	Data -
16	5	Audio To Matrix +
41	5	Audio To Matrix -
17	5	Audio From Matrix +
42	5	Audio From Matrix -
3	6	Data +
28	6	Data -
14	6	Audio To Matrix +
39	6	Audio To Matrix -
15	6	Audio From Matrix +
40	6	Audio From Matrix -
2	7	Data +
27	7	Data -
12	7	Audio To Matrix +
37	7	Audio To Matrix -

MDR Connector		
Pin Number	Port	Function
13	7	Audio From Matrix +
38	7	Audio From Matrix -
1	8	Data +
26	8	Data -
10	8	Audio To Matrix +
35	8	Audio To Matrix -
11	8	Audio From Matrix +
36	8	Audio From Matrix -

NOTE: There are 4 MDR connectors on the XCP-32-DB9 Breakout panel.

MDR Connector	Port
J1	1-8
J2	9-16
J3	17-24
J4	25-32

Notes

Bosch Security Systems, Inc.

12000 Portland Avenue South
Burnsville, MN 55337 U.S.A.
www.boschcommunications.com