

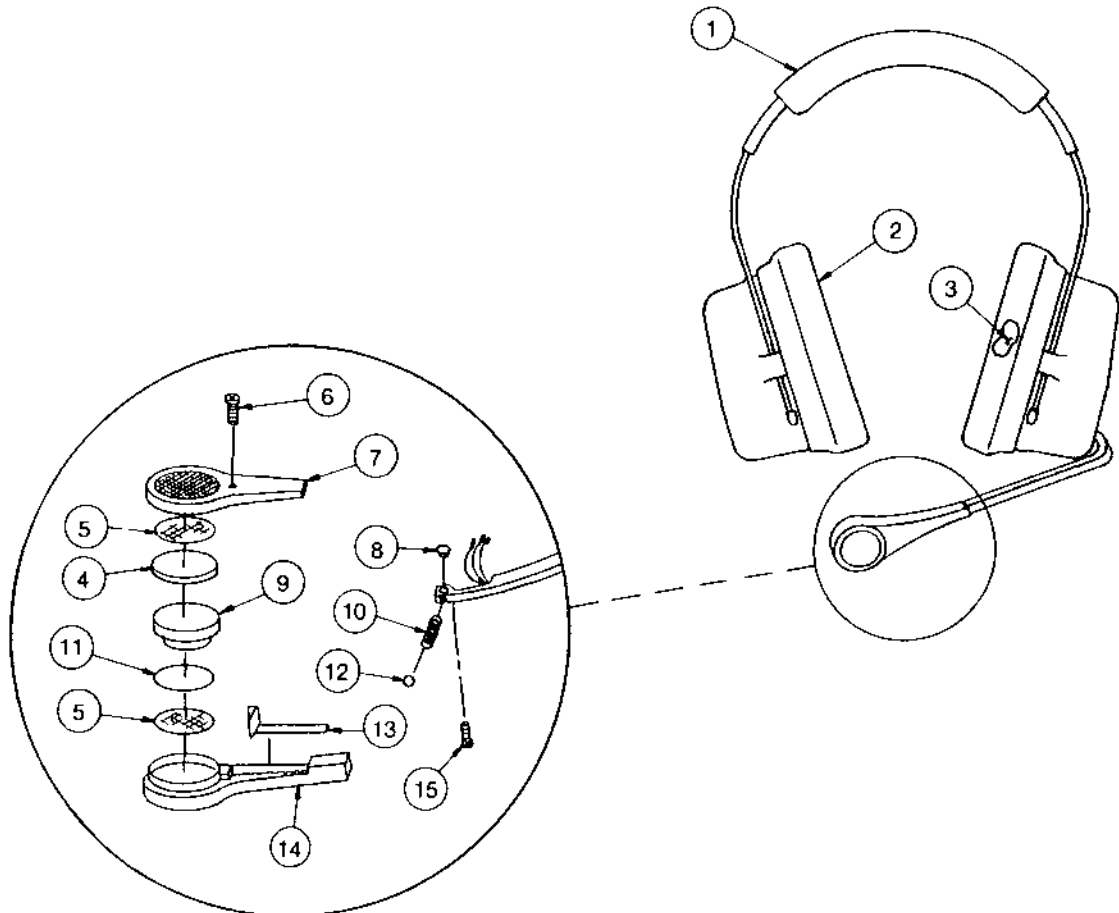
Telex



Parts List

Model HD-3A Professional Headset

Model No.	Catalog No.	Receiver Type & Impedance (Ohms)	Microphone Type & Impedance (Ohms)
HD-3A	63700-011	Dynamic, 150	Dynamic, 150



ITEM NO.	DESCRIPTION		PART NO.
1	Headband Pad	1	63461-000
2	Cushion Cover	1	35772-000
3	Ear Cushion, Black	1	63444-001
4	Filter, Foam	1	60784-000
5	Grille, Mic	2	61562-000
6	Screw, No. 2-28 x 1/8	1	51856-002
7	Cover, Mic Housing, Black	1	63460-004
8	Stop, Boom Mic	1	63189-000

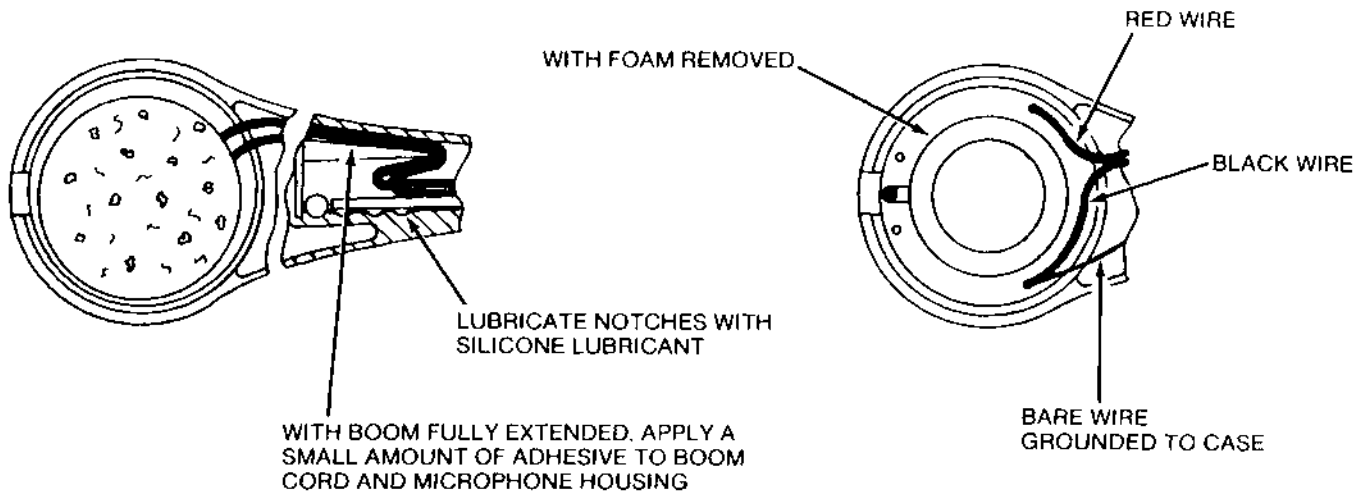
ITEM NO.	DESCRIPTION		PART NO.
9	Mic Mount Assy	1	61585-037
10	Spring, Compression	1	54336-000
11	Mylar Disk	1	60847-018
12	Steel Ball, 0.093-inch Dia	1	50772-002
13	Contact, Tension Spring	1	63455-000
14	Housing, Mic Front, Black	1	63459-004
15	Drive Screw	1	35135-000

63700-011, CY
63471-004, BS

TELEX®

NOTES:

1. Glue grilles (5) to housings (7, 14) using a small amount of all-purpose adhesive.
2. Glue mylar disk (11) to microphone mount assembly (9) using a small amount of all-purpose adhesive.
3. Assemble adjustable boom arm as shown below.



TELEX[®]

TELEX COMMUNICATIONS, INC. • 12000 Portland Ave. S., Burnsville, MN 55337 U.S.A.