



Cronus Fiber Option Card Kit Installation Instructions

To install Cronus Fiber Option Card, you must remove the Coaxial connectors. To remove the coaxial connectors, do the following:

1. Remove the Cronus top cover.
2. From the right side of the unit, remove the two backcards (when viewed from the rear of the unit).
3. Remove the rear panel screws (2) on from the coaxial connector plate.
4. Disconnect the coaxial cables from the backplane (J19, J20, J21, and J22).
5. Gently remove the coaxial connector backplate from the unit.

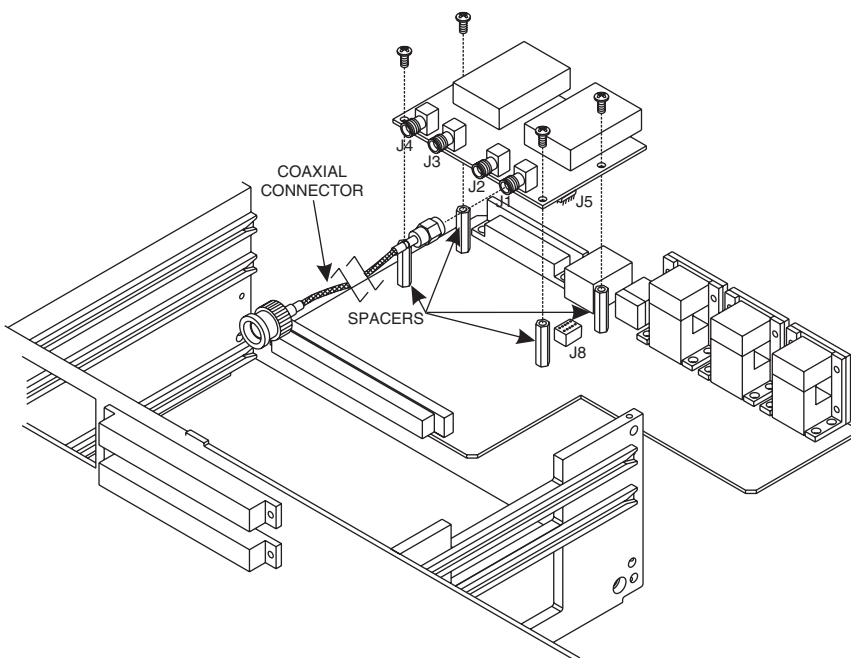
Once you have removed the coaxial cable backplate, you can replace it with the Fiber Option Card. To install the Fiber Option Card, do the following:

NOTE: Refer to figure 1 for connectors, spacers and screw placement.

1. Connect the coaxial connectors (provided with the kit) to the Fiber Option Card at **J1, J2, J3, J4**.
2. Connect the **power connector (J5)** on the Fiber Option Card to the **MC backcard (J8)**. Press gently into the provided spacers.

NOTE: There are 4 spacers in which the Fiber Option Card is attached. When attaching the Fiber Option Card, if the screws do not insert smoothly into the spacers, check the alignment of the power connector to the MC backcard pin placement. If the card is not properly seated on the MC backcard, the screws will not go into the spacers easily.

3. With the screws provided, attach the Fiber Option Card to the **spacers** on the MC backcard.
4. Attach the Fiber Option Card backplate to the rear panel with the screws provided (there are two screws).



5. Using the wiring diagram, connect the coaxial connectors to the correct backplane connectors (see Table 1).
6. Replace the AIO backcards.
7. Replace the cover on Cronus.

FIBER OPTION CARD	CRONUS BACKPLANE
J1	J22
J2	J19
J3	J20
J4	J21

Table 1. Fiber Option Card Wiring



Cronus Coaxial Option Card Kit Installation Instructions

To install Cronus Coaxial Option Card, you must remove the Coaxial connectors. To remove the fiber backplate and module, do the following:

1. Remove the Cronus top cover.
2. From the right side of the unit, remove the two backcards (when viewed from the rear of the unit).
3. Remove the fiber connector plate.
4. Disconnect the cables from the backplane (J19, J20, J21, J22).
5. Gently unscrew and remove the fiber module from the unit.

To install the Coaxial Option Card, do the following:

NOTE: Refer to figure 1 for connectors, spacers and screw placement.

1. Using the wiring diagram, connect the coaxial connectors to the correct coaxial plate connectors (see Table 1).
2. Replace the AIO backcards.
3. Replace the cover on Cronus.

COAXIAL OPTION CARD	CRONUS BACKPLANE
J10	J22
J11	J19
J12	J20
J13	J21

Table 1. Coaxial Option Card Wiring

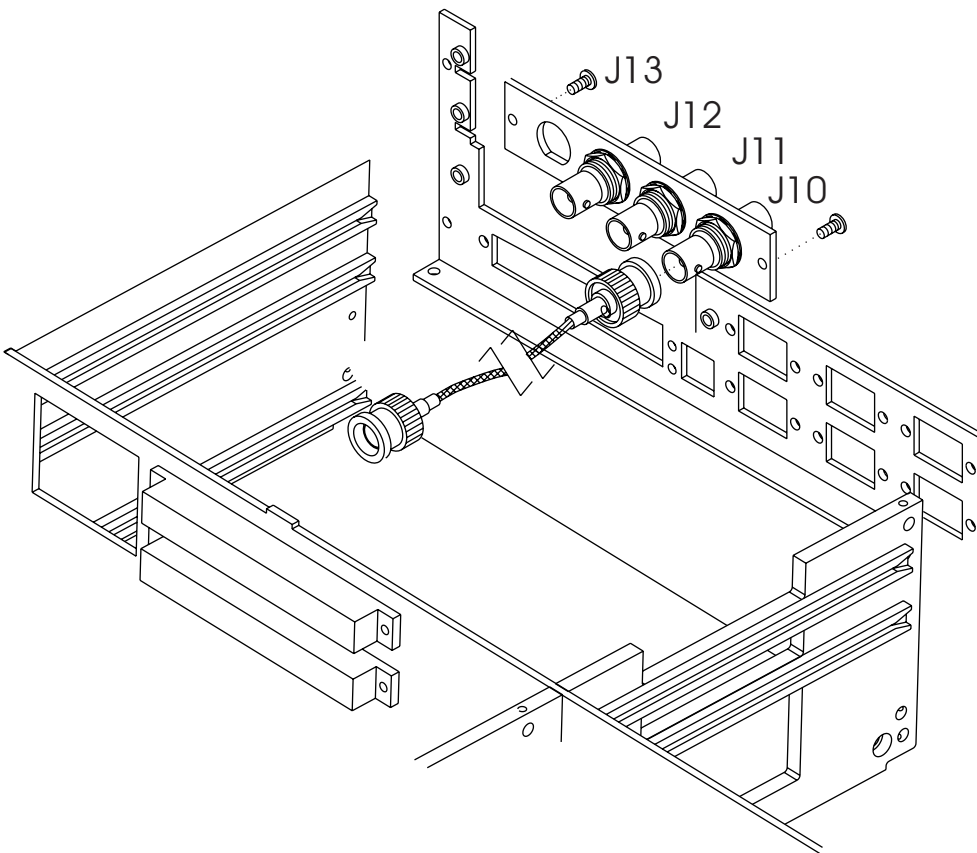


Figure 1. Cronus Reference