

KP 32 CLD GPIO Option Card

Installation Instructions

To install the GPIO option card in to the KP 32 CLD, do the following:

1. Using a Phillips head screw driver, remove the **nine (9) screws** securing the blank plate in place on the rear of unit (see Figure 1 for screw locations).

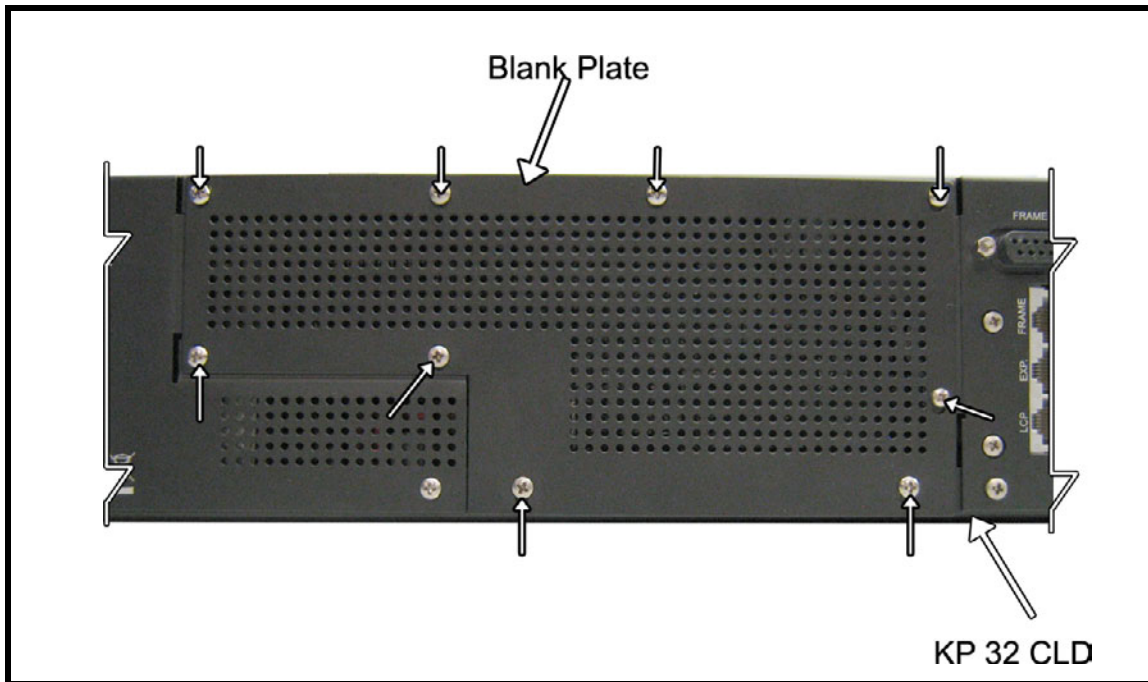


FIGURE 1. Screw Removal Locations

2. Remove the **blank plate**.

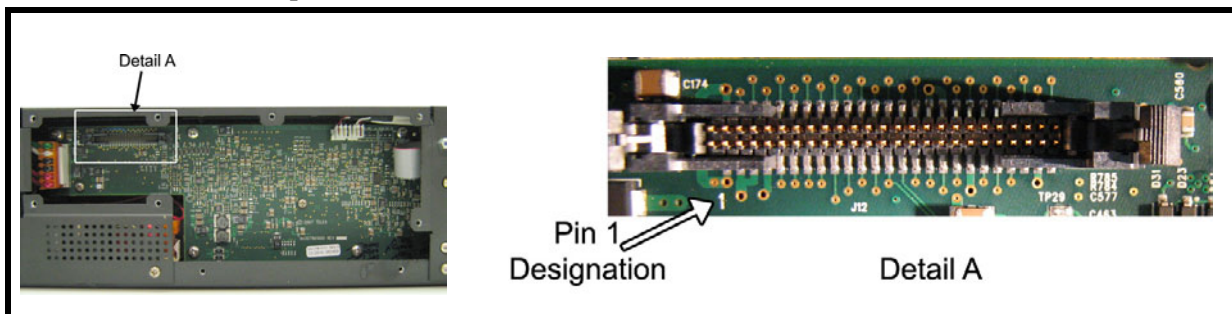


FIGURE 2. GPIO Connector on the KP 32 CLD board

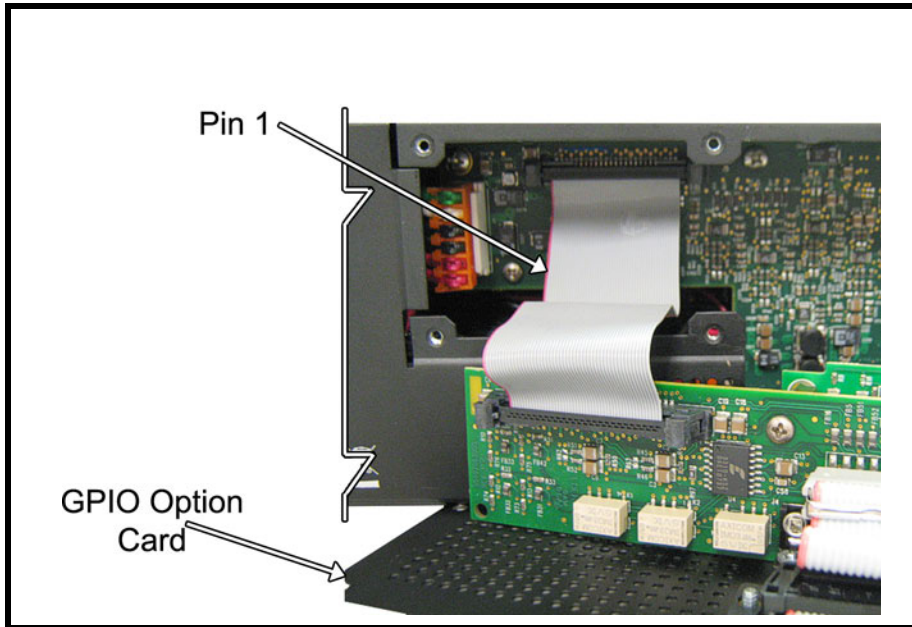


FIGURE 3. GPIO Option Card connected to the KP 32 CLD

3. Connect the **GPIO Option Card** cable to the **GPIO connector** (see Figure 2) within the KP 32 CLD.

IMPORTANT: Connect Pin 1 (red wire) on the furthest left side of the connector as shown in Figure 3. Pin 1 is also designated by the 1 on the KP 32 CLD board, as seen in Figure 2, Detail A.

4. Align the **GPIO Option Card** with the screw holes on the KP 32 CLD.

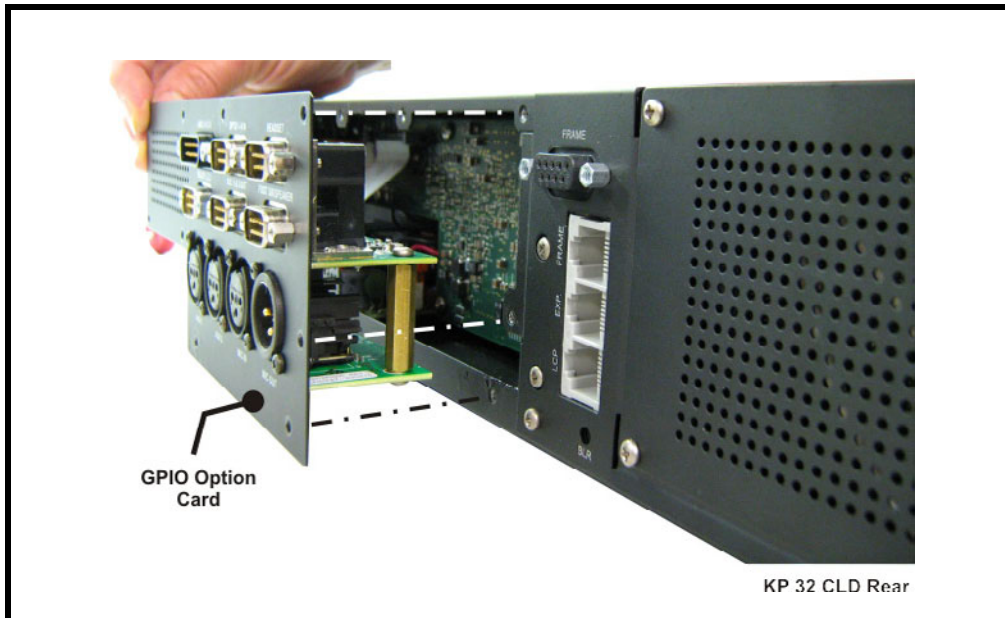


FIGURE 4. Replacing the GPIO Option card in the KP 32 CLD

5. Replace the **screws** in the appropriate holes (see Figure 1).

For information about the GPIO option card features, see the KP 32 CLD User Manual (93507858000).